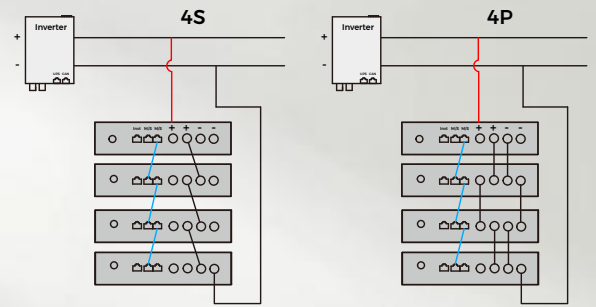


Energy Storage System Rack Mounted Series

LFP 5000/5000A/2500/2600HV

Join Us

Tel: +86-510-88998080
Email: marketing@uhomeenergy.com
Web: www.uhomeenergy.com



>6000
Cycle Life@25°C

Automatic Wake-up Function
Under off-grid System Environment

Smart BMS
Self-developed BMS

Remote Monitoring
Self-developed APP

Multiple Safety Protection
Relay, Fuse, DC Breaker

New&Old Batteries can be used in together
Connect in Parallel

Parallel& Series
Assembly freely in series or parallel Up to 8S8P(16S8P)

Voltage Balancing
Voltage balancing between battery cells&battery pack



LFP 2600/HV 2U/500*442*88mm



LFP 2500 2U/500*442*88mm


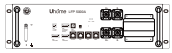




LFP 5000A 3U/500*442*133mm



LFP 5000 2U/500*442*133mm

Technical Specifications

				
Model	LFP 5000	LFP 5000A	LFP 2500	LFP 2600/HV
Total Energy*	5.1kWh	5.1kWh	2.5kWh	2.56kWh
Usable Energy(DC)*	4.6kWh	4.6kWh	2.3kWh	2.2kWh
Nominal Dis-/Charge Power	3.0kW	3.0kW	1.5kW	1.5kW
Peak Power(Only Discharge)	6kW for 3s	6kW for 3s	3kW for 3s	3kW for 3s
Constant Current(Only Discharge)	80A	80A	40A	20A
Voltage	48~56Vd.c	48~56Vd.c	48~56Vd.c	96~112Vd.c
Nominal Voltage	51.2Vd.c	51.2Vd.c	51.2Vd.c	102.4Vd.c
Nominal Current	60A	60A	30A	15A
Max. Charge Voltage	57.6Vd.c	57.6Vd.c	57.6Vd.c	115.2Vd.c
Weight	45kg	45kg	25kg	27kg
Dimension(mm)(L*W*H)	500*442*133mm	500*442*133mm	500*442*88mm	500*442*88mm
Max.recommended DOD	90%			
Operating Condition	Indoor			
Operating Temperature	Charge	From 0~50 °C		
	Discharge	From -10~55 C		
WIFI Frequency Range	2400MHZ~2483MHZ			
Humidity	<60%(No condensed water)			
Over Voltage Category	II			
Cooling Type	Natural cooling			
Case Material	Metal			
Color	Black or White			
Installation	Wall mounting/Ground Installation			
IP rating	IP 20			
Protective Class	I			
Max. Connection Number	8S/8P	16S/16P	8S/8P	4S
Warranty	10 years			
Life Span	>15 years			
Communication	CAN/ RS485			
Protection Mode	Dual hardware protection			
Battery Protection	Over-current/Over-voltage/Short circuit/ Under-voltage/Over temperature			
Safety	Cell UL 1973	Cell UL 1973	Cell TUV	Cell TUV
	CE/TUV			
Hazardous Material Classification	9			
Transportation	UN 38.3			

Testing conditions based on temperature 25°C at the beginning of life.

*Total Energy/Usable Energy measured under specific conditions from Uhome 0.2C CC-CV